

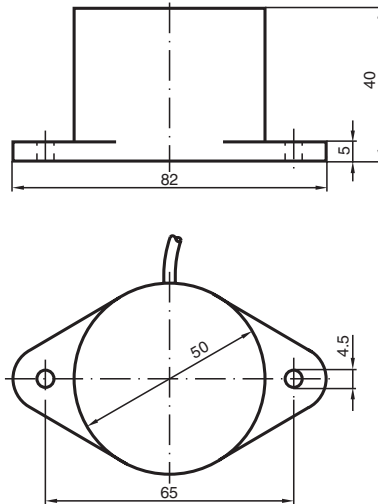
## Inductive sensor

### NJ25-50-N

■ 25 mm non-flush



## Dimensions



## Technical Data

### General specifications

Switching function		Normally closed (NC)
Output type		NAMUR
Rated operating distance	$s_n$	25 mm
Installation		non-flush
Assured operating distance	$s_a$	0 ... 20.25 mm
Reduction factor $r_{Al}$		0.4
Reduction factor $r_{Cu}$		0.3
Reduction factor $r_{304}$		0.85
Output type		2-wire

### Nominal ratings

Nominal voltage	$U_o$	8.2 V ( $R_i$ approx. 1 k $\Omega$ )
Switching frequency	$f$	0 ... 250 Hz
Current consumption		
Measuring plate not detected		min. 3 mA
Measuring plate detected		$\leq$ 1 mA

Release date: 2023-01-27 Date of issue: 2023-01-27 Filename: 70133327\_eng.pdf

Refer to "General Notes Relating to Pepperl+Fuchs Product Information".

Pepperl+Fuchs Group  
www.pepperl-fuchs.com

USA: +1 330 486 0001  
fa-info@us.pepperl-fuchs.com

Germany: +49 621 776 1111  
fa-info@de.pepperl-fuchs.com

Singapore: +65 6779 9091  
fa-info@sg.pepperl-fuchs.com

PEPPERL+FUCHS

## Technical Data

### Functional safety related parameters

MTTF <sub>d</sub>	10360 a
Mission Time (T <sub>M</sub> )	20 a
Diagnostic Coverage (DC)	0 %

### Compliance with standards and directives

#### Standard conformity

NAMUR	EN 60947-5-6:2000 IEC 60947-5-6:1999
Standards	EN 60947-5-2:2007 EN 60947-5-2/A1:2012 IEC 60947-5-2:2007 IEC 60947-5-2 AMD 1:2012

### Approvals and certificates

#### IECEX approval

Equipment protection level Gb	IECEX PTB 11.0037X
Equipment protection level Da	IECEX PTB 11.0037X
Equipment protection level Mb	IECEX PTB 11.0037X

#### ATEX approval

Equipment protection level Gb	PTB 00 ATEX 2048 X
Equipment protection level Da	PTB 00 ATEX 2048 X

UL approval cULus Listed, General Purpose

#### CCC approval

Hazardous Location 2020322315002258

#### NEPSI approval

NEPSI certificate GYJ16.1393X

ANZEx 18.3018X

### Ambient conditions

Ambient temperature -25 ... 100 °C (-13 ... 212 °F)

### Mechanical specifications

Connection type	cable
Housing material	PBT
Sensing face	PBT
Degree of protection	IP67

#### Cable

Cable diameter	6 mm ± 0.2 mm	
Bending radius	> 10 x cable diameter	
Material	PVC	
Core cross section	0.75 mm <sup>2</sup>	
Length	L	2 m
Mass	250 g	

### General information

Use in the hazardous area see instruction manuals

## Connection

